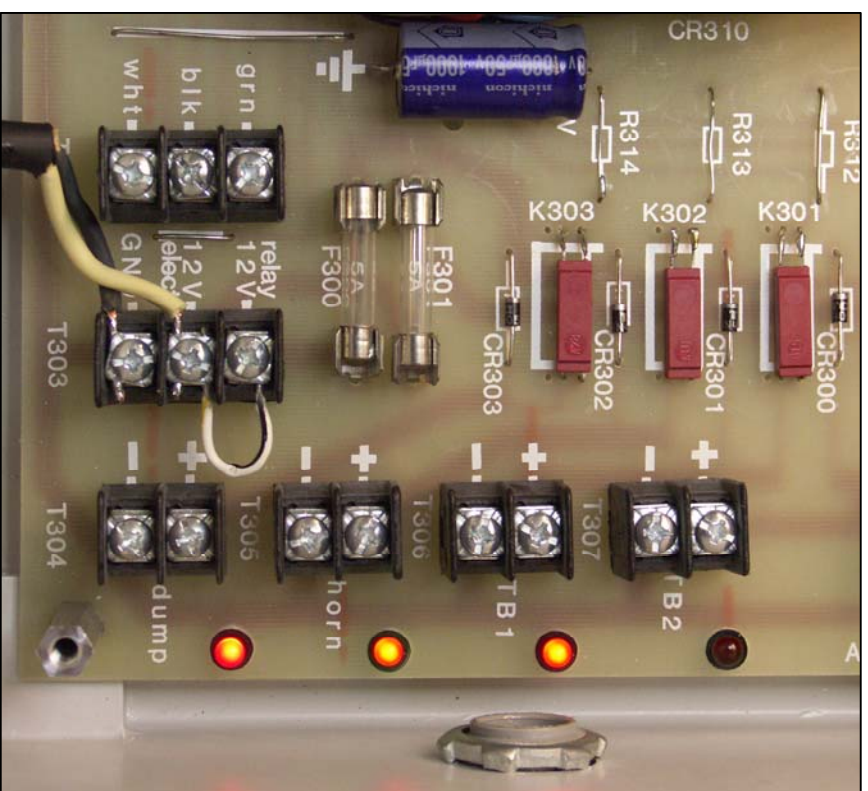


MMS-80 TERMINAL BOARD 100562

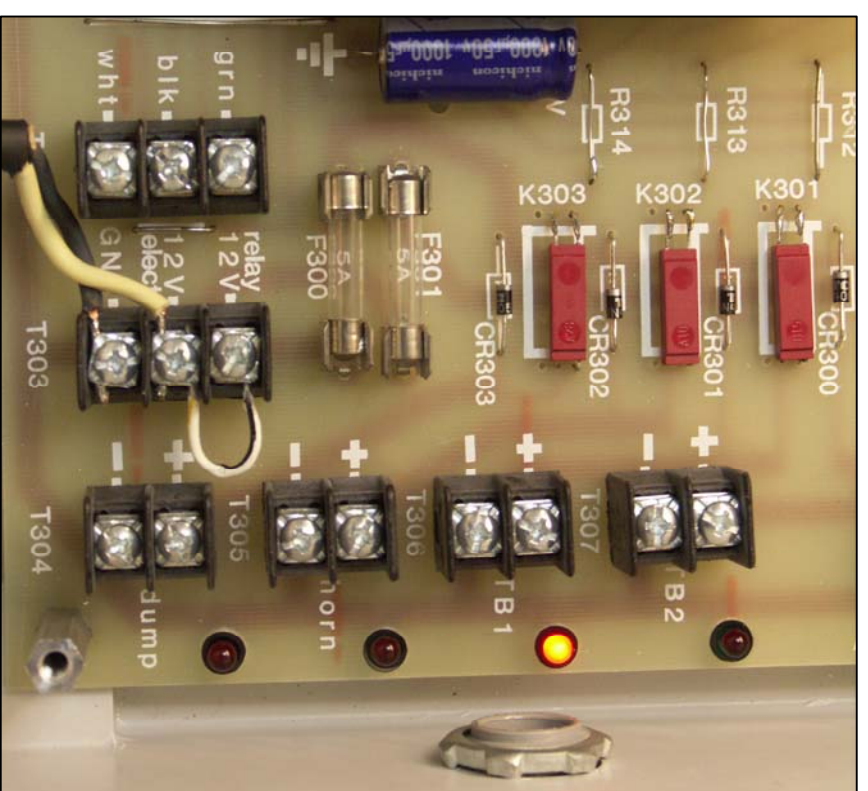
REVISIONS

ZONE	REV	DESCRIPTION	DATE	APPROVED



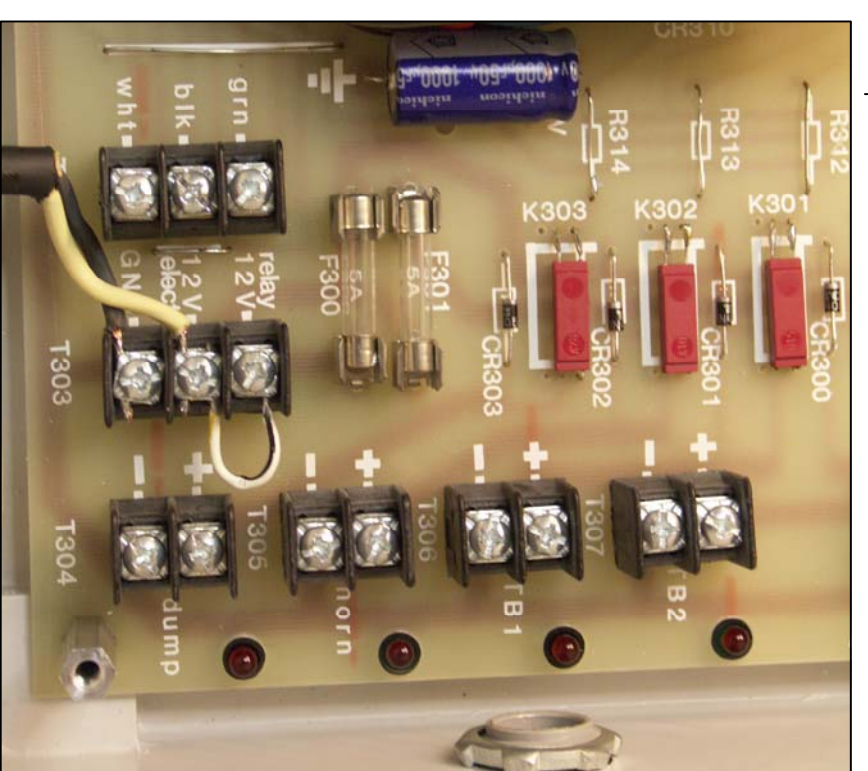
- Normal operation**
1. DUMP (T304) = ON
 2. HORN (T305) = ON
 3. TB1 (T306) = ON
 4. TB2 (T307) NOT USED
 5. AUX (T308) NOT USED

In this mode the crane is being operated within it's prescribed operating limits.
All three of the used outputs (DUMP, HORN and TB1) are on (high).



- Overload condition**
1. DUMP (T304) = OFF
 2. HORN (T305) = OFF
 3. TB1 (T306) = ON
 4. TB2 (T307) NOT USED
 5. AUX (T308) NOT USED

In this mode one of the crane's operating parameters has been exceeded.
This could be boom length, boom angle, boom direction, outrigger deployment, boom weight overload condition or some combination of these.
The DUMP and HORN outputs are now deactivated, (low).



- Two block switch activated**
1. DUMP (T304) = OFF
 2. HORN (T305) = OFF
 3. TB1 (T306) = OFF
 4. TB2 (T307) NOT USED
 5. AUX (T308) NOT USED

In this condition the **TWO BLOCK SWITCH** has been activated.
This causes all three outputs (DUMP, HORN and TB1) to be deactivated (low).

Notes: Unless otherwise specified

Used on	DRWN:	Title Trans-Cal Industries, Inc. Van Nuys, CA 91406-2908
	M. Remenih 12/13/04	
	Engr	Description MMS-80 Crane LED Status
	CHK	
	Mtr.	
Tolerances: Decimals: .XX±.010 XXX±.005		
Angles ±0°30'		
Metric equivalents, based on 1"=25.4MM rounded to the same number of significant figures as the English units.		
SIZE	DO NOT SCALE	DWG NO.
B	DRAWING	101408
SCALE None	Units: Inch [MM]	SHEET 1 of 1
REV		D