

## ***Trans-Cal Industries, Inc.***

### **ADAPTER PLATE (Sandia) Part Number 103035 Installation Instructions**

#### ***Overview***

Trans-Cal Industries Adapter Plate part number 103035 allows the avionics technician to quickly replace existing Sandia altitude encoder installations in favor of Trans-Cal's SSD120-(XX)N(X)-(X). This adapter simplifies the mechanical installation task by providing a mounting plate designed for the SSD120-(XX)N(X)-(X) while utilizing the existing Sandia mounting tray. The adapter plate is manufactured from .062" thick aluminum with a chem-film treatment to inhibit corrosion. The adapter is shipped with stainless steel fastening hardware to secure the digitizer to the plate.

#### ***Please note:***

*The SSD120-(XX)N(X)-(X) and this adapter plate are approved under TSO-C88a and ETSO-C88a. It is the responsibility of the installer of this equipment, within a specified type or class of aircraft, to determine that the aircraft operating conditions are within TSO or ETSO standards.*

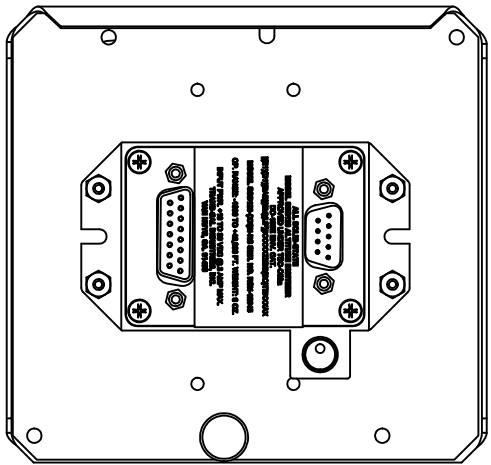
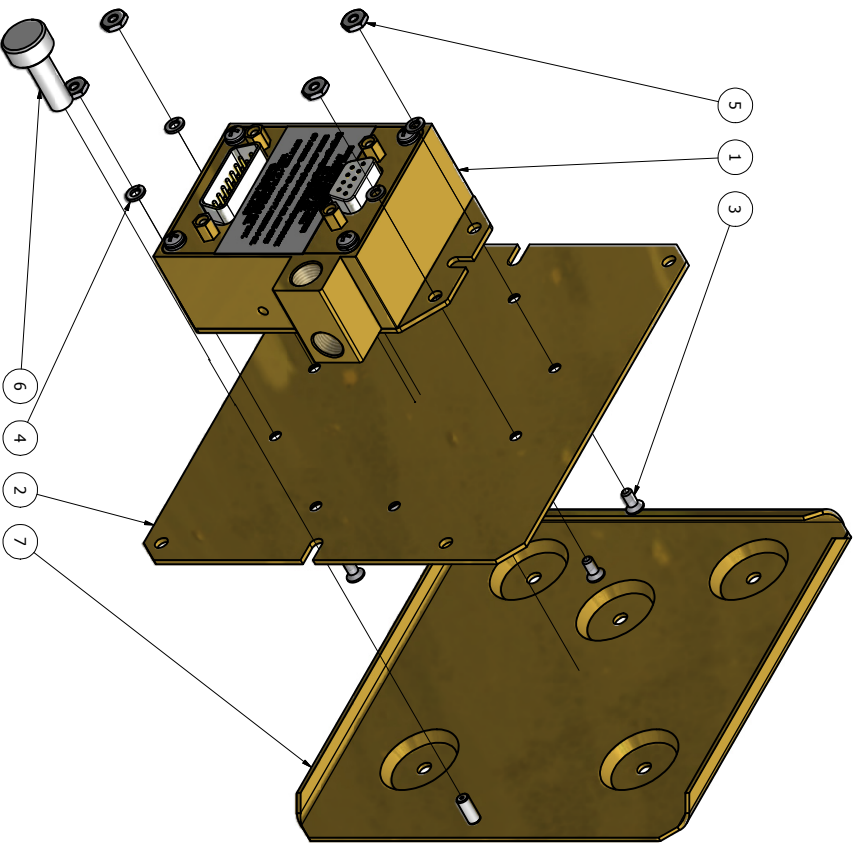
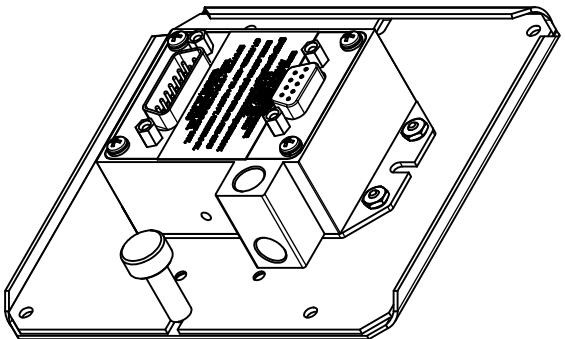
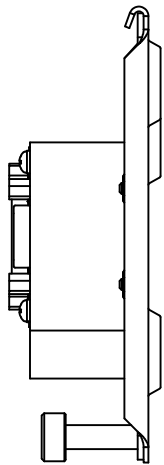
#### ***Assembly and Installation Instructions (Refer to TCI Drawing 103081)***

1. Secure the altitude digitizer (item 1) to the adapter plate (item 2) using four flat head screws, lock washers and nuts (items 3, 4 and 5) as shown on drawing 103081.
2. Make all electrical/data and static line connections to the altitude digitizer (item 1) as per the digitizer installation instructions.
3. Place this assembly into the existing Sandia mounting tray (item 7) and snug the Sandia retaining knob (item 6) to secure the unit to the tray.
4. Test and verify the altitude digitizer operation as per the altitude digitizer installation manual.

Trans-Cal Industries Inc.  
16141 Cohasset St.  
Van Nuys, CA 91406  
www.trans-cal.com

THIS DOCUMENT CONTAINS PROPRIETARY INFORMATION OF TRANS-CAL INDUSTRIES, INC. ANY REPRODUCTION, USE OR DISCLOSURE OF THIS DOCUMENT WITHOUT THE WRITTEN PERMISSION OF TRANS-CAL INDUSTRIES, INC. IS EXPRESSLY PROHIBITED.

REVISION HISTORY			
REV	DESCRIPTION	DATE	APPROVED
A	PRODUCTION APPROVAL	5/22/2008	J. Ferrero



Parts List

ITEM	QTY	PART NUMBER	DESCRIPTION
1	1	SSD120-(XX)N(X)-X	ALTITUDE DIGITIZER
2	1	103035	ADAPTER PLATE (SANDIA)
3	4	600011-3	#4-40 X .375" FLAT HEAD SCREW
4	4	600006-4	#4 Lock Washer
5	4	600025-4	#4-40 HEX MACHINE SCREW NUT
6	1	KNOB	RETAINING KNOB (SANDIA PART)
7	1	TRAY	MOUNTING TRAY (SANDIA PART)

MTRL./FINISH	DRAWN	H. Smith	5/22/2008	TITLE	Adapter Plate (Sandia) Installation Drawing
	CHECKED	M. Remenih	5/22/2008		Van Nuys, CA 91406
	QA				
	MFG	J. Ferrero	05/23/2008		
	APPROVED	C. Herrera	5/22/2008		
		J. Ferrero	5/22/2008		

TOLERANCES, UNLESS OTHERWISE NOTED  
 Decimals: .010  
 Fractions: 1/16  
 Angles: ±1°  
 Holes: .005, .010, .015, .020, .030, .040, .050, .060, .070, .080, .090, .100, .125, .150, .175, .200, .250, .300, .375, .400, .500, .600, .750, .875, 1.000, 1.250, 1.500, 1.750, 2.000, 2.500, 3.000, 3.750, 4.000, 5.000, 6.000, 7.500, 8.750, 10.000, 12.500, 15.000, 17.500, 20.000, 25.000, 30.000, 37.500, 40.000, 50.000, 60.000, 75.000, 87.500, 100.000, 125.000, 150.000, 175.000, 200.000, 250.000, 300.000, 375.000, 400.000, 500.000, 600.000, 750.000, 875.000, 1000.000

THIRD ANGLE PROJECTION

SCALE: 1:1 UNITS: INCH SHEET 1 OF 1

SIZE: DO NOT SCALE DWG NO: 103081 REV: A