

Trans-Cal Industries, Inc.

ADAPTER PLATE (ACK) Part Number 103059 Installation Instructions

Overview

Trans-Cal Industries Adapter Plate part number 103059 allows the avionics technician to quickly replace existing ACK altitude encoder installations in favor of Trans-Cal's SSD120-(XX)N(X)-(X). This adapter simplifies the mechanical installation task by providing a mounting plate designed for the SSD120-(XX)N(X)-(X) while utilizing the existing ACK mounting tray. The adapter plate is manufactured from .062" thick aluminum with chem-film treatment to inhibit corrosion. The adapter is shipped with stainless steel fastening hardware to secure the digitizer to the plate.

Please note:

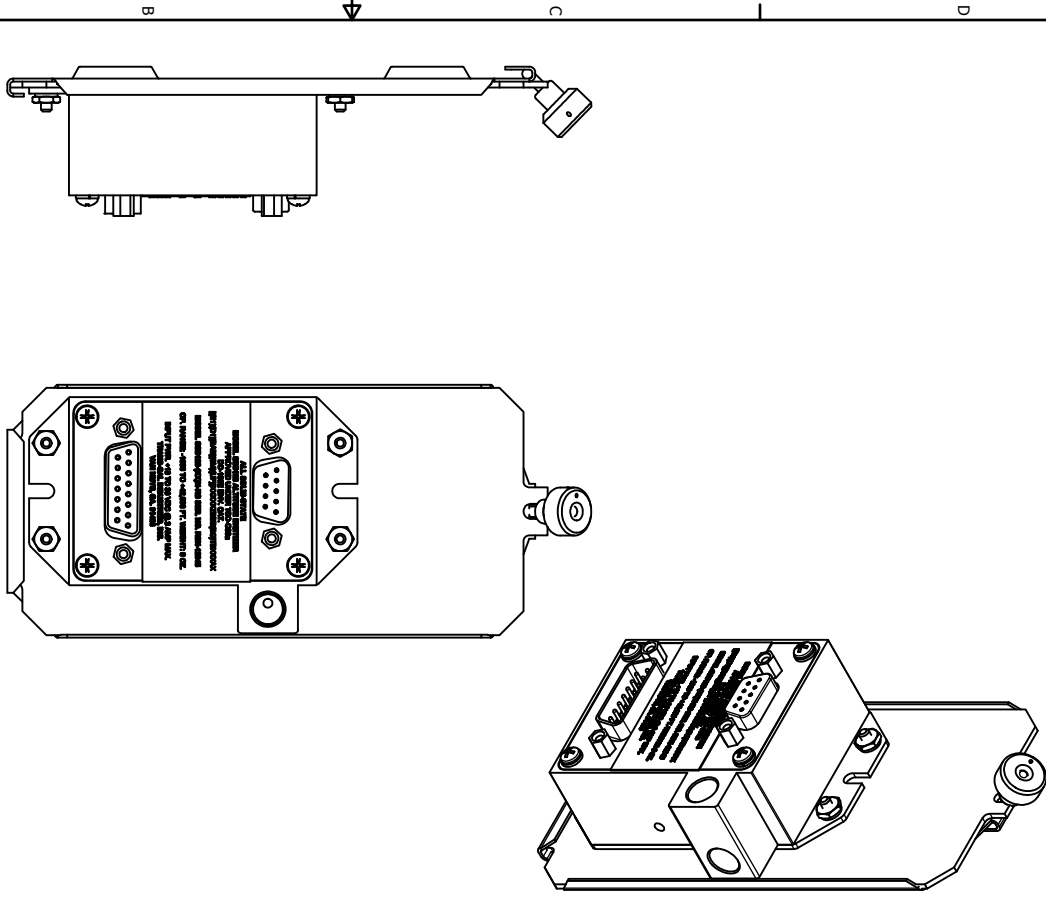
The SSD120-(XX)N(X)-(X) and this adapter plate are approved under TSO-C88a and ETSO-C88a. It is the responsibility of the installer of this equipment, within a specified type or class of aircraft, to determine that the aircraft operating conditions are within TSO or ETSO standards.

Assembly and Installation Instructions (Refer to TCI Drawing 103067)

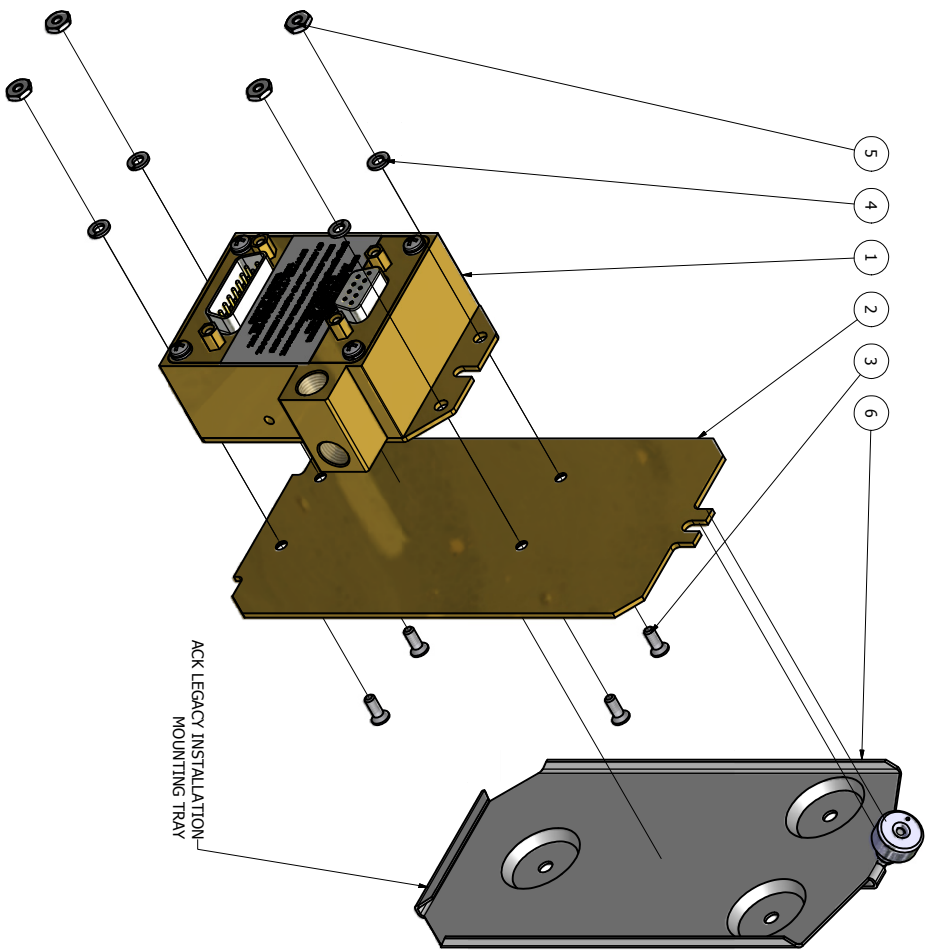
1. Secure the altitude digitizer (item 1) to the adapter plate (item 2) using four flat head screws, lock washers and nuts (items 3, 4 and 5) as shown on drawing 103067
2. Make all electrical/data and static line connections to the altitude digitizer (item1) as per the digitizer installation instructions.
3. Place this assembly into the existing ACK mounting tray (item 6) and snug the ACK retaining nut to secure the unit to the tray.
4. Test and verify the altitude digitizer operation as per the altitude digitizer installation manual.

Trans-Cal Industries Inc.
16141 Cohasset St.
Van Nuys, CA 91406
www.trans-cal.com

THIS DOCUMENT CONTAINS PROPRIETARY INFORMATION OF TRANS-CAL INDUSTRIES, INC. ANY REPRODUCTION, USE OR DISCLOSURE OF THIS DOCUMENT WITHOUT THE WRITTEN PERMISSION OF TRANS-CAL INDUSTRIES, INC. IS EXPRESSLY PROHIBITED.



REVISION HISTORY		
REV /	DESCRIPTION	DATE
A	RELEASE	7/8/2008
		J. Ferrero



Parts List

ITEM	QTY	PART NUMBER	DESCRIPTION
1	1	SSD120-(XX)N(X)-(X)	Altitude Digitizer
2	1	103059	Adapter Plate (ACK)
3	4	600011-3	#4-40 X .375" Flat Head Phillips Screw
4	4	600006-4	Lock Washer #4 Regular Helical Spring
5	4	600025-4	#4-40 Hex Machine Screw Nut
6	1	ACK Tray	ACK MOUNTING TRAY ASSEMBLY

MTRL./FINISH	DRAWN	DATE
	H. Smith	7/8/2008
	CHECKED	M. Remenih
	QA	
	J. Ferrero	7/8/2008
	MFG	
	C. Herrera	7/8/2008
	APPROVED	
	J. Ferrero	7/8/2008

TITLE	DATE
Trans-Cal Industries, Inc.	7/8/2008
Van Nuys, CA 91406	

ASSEMBLY, SSD120-(XX)N Adapter Plate (ACK)

SCALE	UNITS	INCH	SHEET	1 OF 1
C	DO NOT SCALE	DWG NO	103067	REV
				A

TOLERANCES, UNLESS OTHERWISE NOTED
 Decimals: Angles ±1°
 Fractions: ±.010
 Holes: ±.005
 THIRD ANGLE PROJECTION