

Trans-Cal Industries, Inc.

ADAPTER PLATE (Ameri-King) Part Number 103061 Installation Instructions

Overview

Trans-Cal Industries Adapter Plate part number 103061 allows the avionics technician to quickly replace existing Ameri-King altitude encoder installations in favor of Trans-Cal's SSD120-(XX)N(X)-(X). This adapter simplifies the mechanical installation task by providing a mounting plate designed for the SSD120-(XX)N(X)-(X) while utilizing the existing Ameri-King mounting tray. The adapter plate is manufactured from .062" thick aluminum with chem-film treatment to inhibit corrosion. The adapter is shipped with stainless steel fastening hardware to secure the digitizer to the plate.

Please note:

The SSD120-(XX)N(X)-(X) and this adapter plate are approved under TSO-C88a and ETSO-C88a. It is the responsibility of the installer of this equipment, within a specified type or class of aircraft, to determine that the aircraft operating conditions are within TSO or ETSO standards.

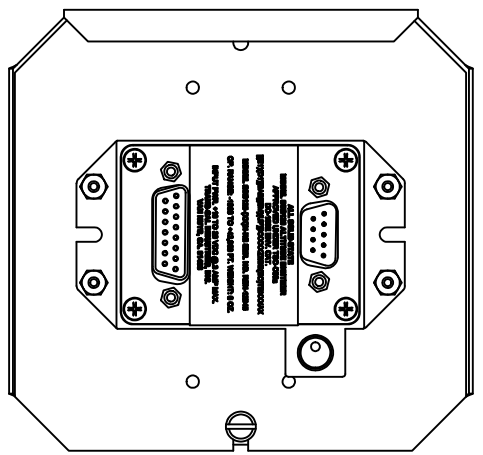
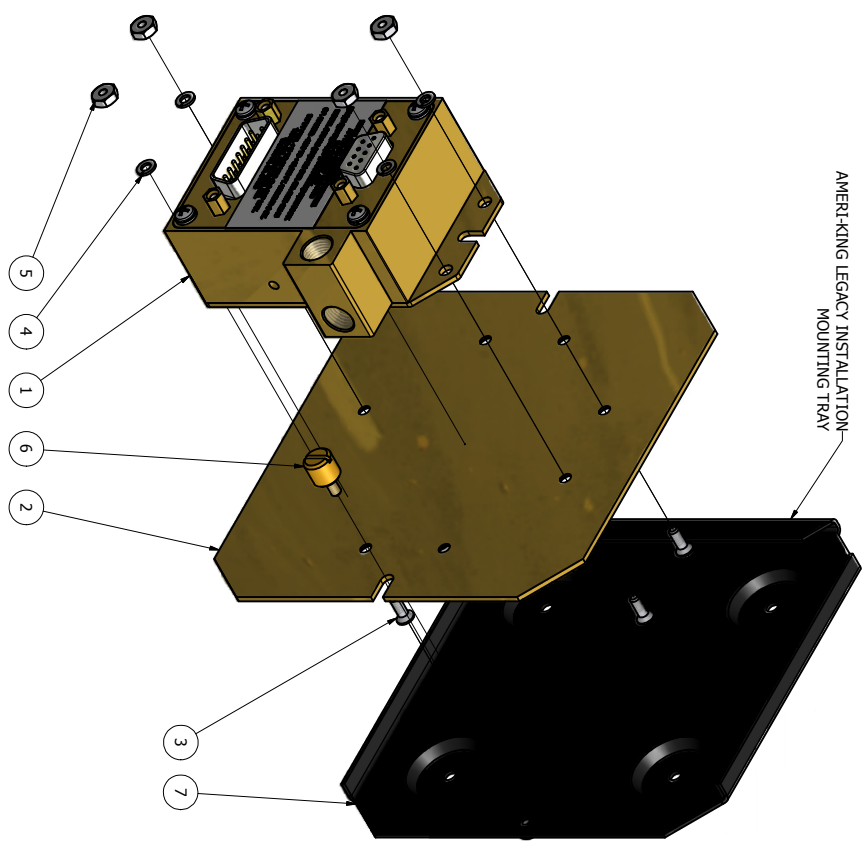
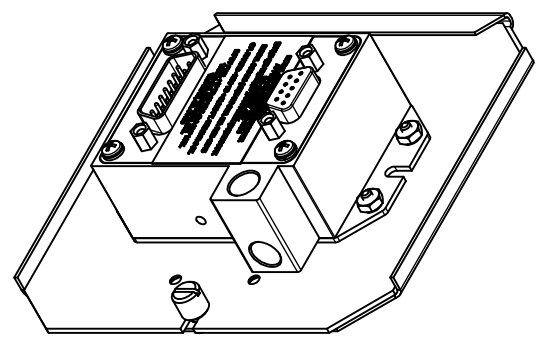
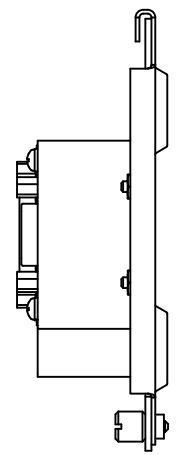
Assembly and Installation Instructions (Refer to TCI Drawing 103079)

1. Secure the altitude digitizer (item 1) to the adapter plate (item 2) using four flat head screws, lock washers and nuts (items 3, 4 and 5) as shown on drawing 103079
2. Make all electrical/data and static line connections to the altitude digitizer (item1) as per the digitizer installation instructions.
3. Place this assembly into the existing Ameri-King mounting tray (item 6) and snug the Ameri-King retaining knob to secure the unit to the tray.
4. Test and verify the altitude digitizer operation as per the altitude digitizer installation manual.

Trans-Cal Industries Inc.
16141 Cohasset St.
Van Nuys, CA 91406
www.trans-cal.com

THIS DOCUMENT CONTAINS PROPRIETARY INFORMATION OF TRANS-CAL INDUSTRIES, INC. ANY REPRODUCTION, USE OR DISCLOSURE OF THIS DOCUMENT WITHOUT THE WRITTEN PERMISSION OF TRANS-CAL INDUSTRIES, INC. IS EXPRESSLY PROHIBITED.

REVISION HISTORY			
REV	DESCRIPTION	DATE	APPROVED
A	PRODUCTION APPROVAL	5/22/2008	J. Ferrero



ITEM	QTY	PART NUMBER	DESCRIPTION
1	1	SSD120-(XX)N(X)-(X)	ALTITUDE DIGITIZER
2	1	103061	ADAPTER PLATE (AMERI-KING)
3	4	600011-3	#4-40 X .375" FLAT HEAD SCREW
4	4	600006-4	#4 LOCK WASHER
5	4	600025-4	#4-40 HEX MACHINE SCREW NUT
6	1	KNOB	RETAINING KNOB (AMERI-KING PART)
7	1	TRAY	MOUNTING TRAY (AMERI-KING PART)

MTRL./FINISH
 DRAWN H. Smith 5/22/2008
 CHECKED M. Remenih 5/22/2008
 QA
 MFG J. Ferrero 05/23/2008
 C. Herrera 5/22/2008
 APPROVED J. Ferrero 5/22/2008

Trans-Cal Industries, Inc.
 Van Nuys, CA 91406
Adapter Plate (Ameri-King) Installation Drawing

TOLERANCES, UNLESS OTHERWISE NOTED
 Decimals: .010
 Fractions: XXX±.005, 1
 THIRD ANGLE PROJECTION

SIZE DO NOT SCALE DWG NO
 DRAWING 103079 REV
 SCALE 1:1 UNITS: INCH SHEET 1 OF 1

