

Trans-Cal Industries, Inc.

ADAPTER PLATE (Shadin) Part Number 103060 Installation Instructions

Overview

Trans-Cal Industries Adapter Plate part number 103060 allows the avionics technician to quickly replace existing Shadin altitude encoder in favor of Trans-Cal's SSD120-(XX)N(X)-(X) or Model SSD120-(XX)C-(X). This adapter simplifies the mechanical installation task by providing a mounting plate designed for the SSD120 Series altitude digitizer, while utilizing the existing Shadin mounting tray. The adapter plate is manufactured from .062" thick aluminum with a chem-film treatment to inhibit corrosion. The adapter is shipped with stainless steel fastening hardware to secure the digitizer to the plate.

Equipment Limitations

The SSD120-(XX) Series Altitude Digitizer, and adapter plate part number 103060 are approved under TSO-C88a and ETSO-C88a. The conditions and tests for TSO approval are minimum performance standards. It is the responsibility of the installer of this equipment, within a specified type or class of aircraft, to determine that the aircraft operating conditions are within TSO or ETSO standards. TSO articles must have separate approval for installation in aircraft. The adapter plate and altitude encoder are to be installed in a manner consistent with the requirements of 14CFR part 43. Good workmanship and installation practices in accordance with the instructions given in this publication are to be observed. To verify the altitude digitizer has been properly installed, the installer should perform a visual inspection and conduct an overall operational check of the system prior to flight.

Continued Airworthiness

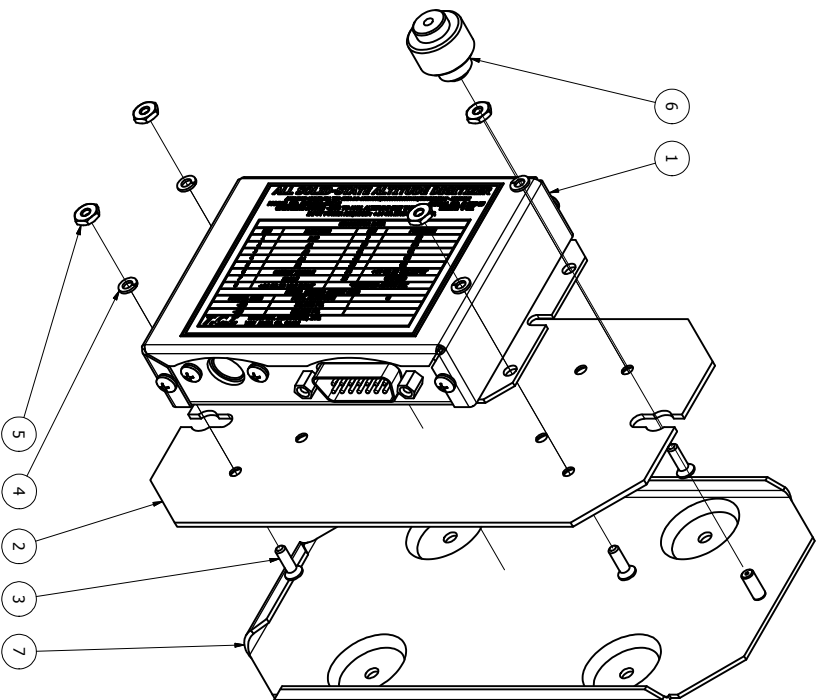
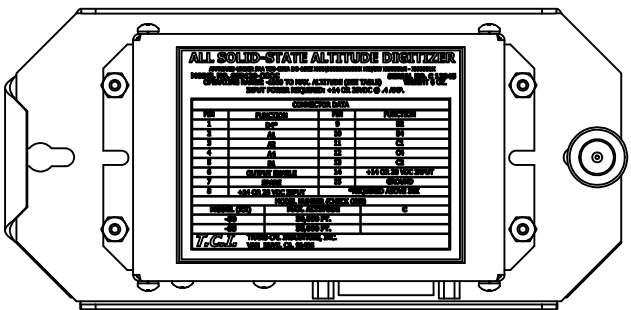
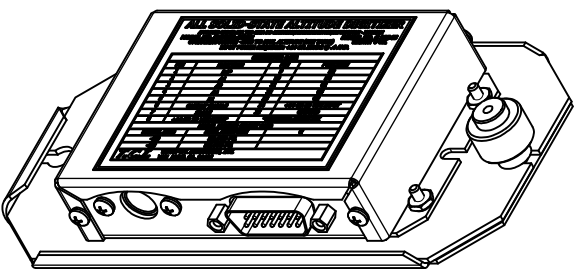
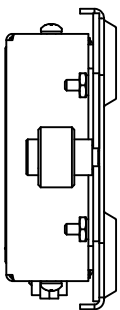
During the required biennial inspection of the transponder, altitude digitizer and pitot-static system the adapter plate should be visually inspected to verify it is securely holding the altitude digitizer. No other routine maintenance is required.

Assembly and Installation Instructions (Refer to TCI Drawing 103080 or 881637)

1. Secure the altitude digitizer (item 1) to the adapter plate (item 2) using four flat head screws, lock washers and nuts (items 3, 4 and 5) as shown on drawing 103080 and 881637
2. Make all electrical/data and static line connections to the altitude digitizer (item1) as per the digitizer installation instructions.
3. Place this assembly into the existing Shadin mounting tray (item 7) and snug the Shadin locking knob (item 6) to secure the unit to the tray.
4. Test and verify the altitude digitizer operation as per the altitude digitizer installation manual.

Trans-Cal Industries Inc.
16141 Cohasset St.
Van Nuys, CA 91406
www.trans-cal.com

ECO		REV		REVISION HISTORY		DATE	APPROVED
	A			DESCRIPTION	INITIAL RELEASE	8/11/2016	J. FERRERO



ITEM QTY	PART NUMBER	DESCRIPTION
1	SSD120-XXXC-X	ALTITUDE DIGITIZER
2	103060	ADAPTER PLATE (SHADIN)
3	600011-3	#4-40 X .375" FLAT HEAD PHILLIPS SCREW
4	600006-4	#4 LOCK WASHER HELICAL SPLIT RING
5	600025-4	#4-40 HEX MACHINE SCREW NUT
6	1	SHADIN KNOB
7	1	SHADIN TRAY

PARTS LIST		DESCRIPTION	
MTRL./FINISH	SEE PARTS LIST.	DRAWN	H. SMITH
DATE	8/10/2016	CHECKED	M. REMENIH
QA	J. FERRERO	DATE	8/11/2016
MFG	C. HERRERA	APPROVED	J. FERRERO
DATE	8/10/2016	DATE	8/10/2016

Trans-Cal Industries, Inc.
Van Nuys, CA 91406

ASSM., ADAPTER PLATE SSD120-(XXX)C-(X)
(SHADIN)

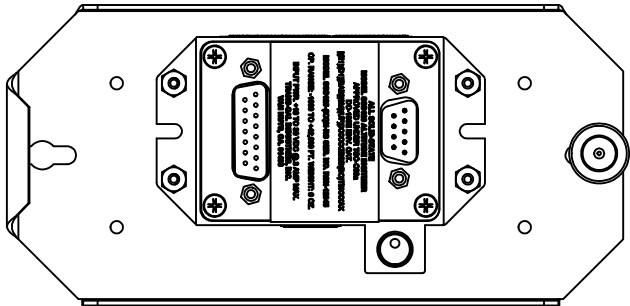
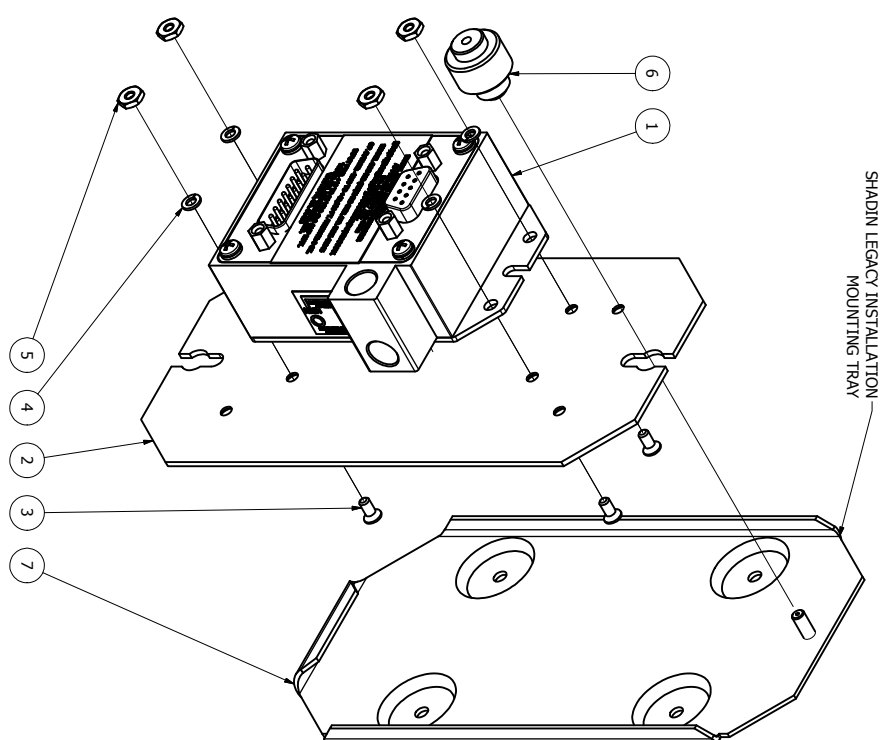
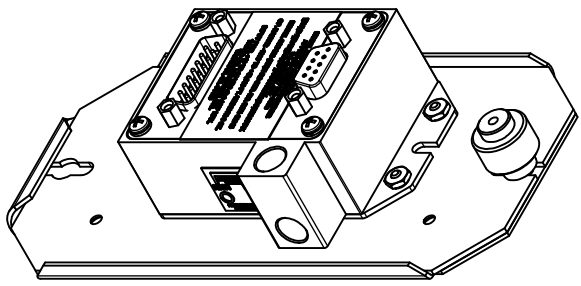
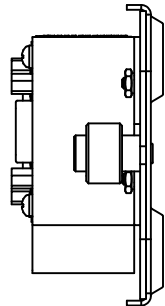
TOLERANCES, UNLESS OTHERWISE NOTED
Decimals: Angles ±1°
XXX±.005

SIZE	DO NOT SCALE	DWG NO	REV
C	DRAWING	881637	A
SCALE: 1:1	UNITS: INCH	SHEET 1 OF 1	

THIS DOCUMENT CONTAINS PROPRIETARY INFORMATION OF TRANS-CAL INDUSTRIES, INC. ANY REPRODUCTION, USE OR DISCLOSURE OF THIS DOCUMENT WITHOUT THE WRITTEN PERMISSION OF TRANS-CAL INDUSTRIES, INC. IS EXPRESSLY PROHIBITED.

REV	DESCRIPTION	DATE	APPROVED
B	REVISED ADAPTER PLATE	5/22/2008	J. FERRERO
A	PRODUCTION APPROVAL	8/10/2016	J. FERRERO

REV	DESCRIPTION	DATE	APPROVED
B	REVISED ADAPTER PLATE	5/22/2008	J. FERRERO
A	PRODUCTION APPROVAL	8/10/2016	J. FERRERO



ITEM	QTY	PART NUMBER	DESCRIPTION
1	1	SSD120-(XX)(X)-(X)	ALTITUDE DIGITIZER
2	1	103060	ADAPTER PLATE (SHADIN)
3	4	600011-3	#4-40 X .375" FLAT HEAD PHILLIPS SCREW
4	4	600006-4	#4 LOCK WASHER HELICAL SPLIT RING
5	4	600025-4	#4-40 HEX MACHINE SCREW NUT
6	1	SHADIN LOCKING KNOB	RETAINING KNOB (SHADIN PART)
7	1	SHADIN MOUNTING TRAY	MOUNTING TRAY (SHADIN PART)

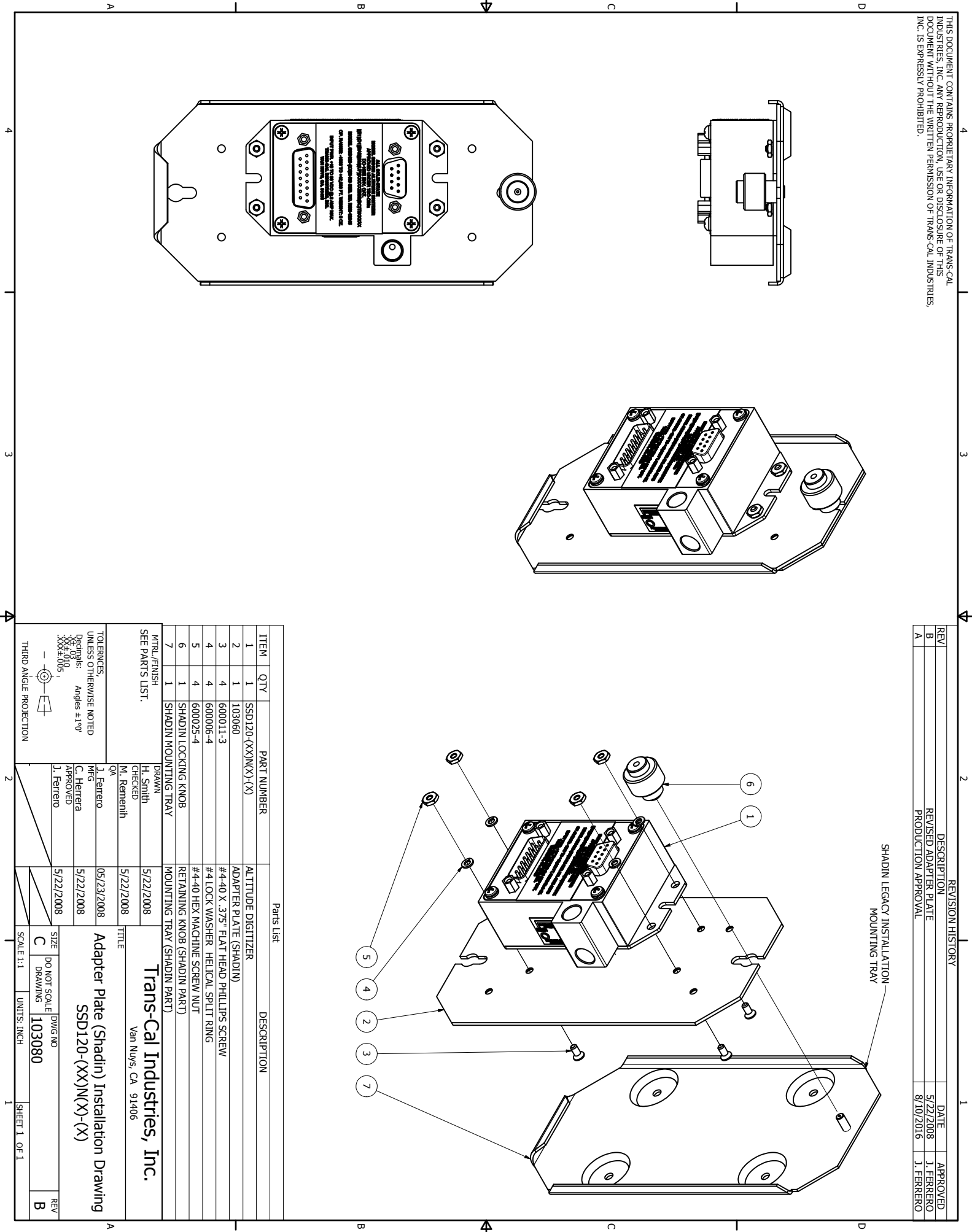
TITLE	DATE	BY	CHECKED	QA
Adapter Plate (Shadin) Installation Drawing	05/23/2008	J. Ferrero	H. Smith	
SSD120-(XX)(X)-(X)	5/22/2008	C. Herrera	M. Remenih	
	5/22/2008	J. Ferrero		

Trans-Cal Industries, Inc.
Van Nuys, CA 91406

Adapter Plate (Shadin) Installation Drawing
SSD120-(XX)(X)-(X)

SCALE: 1:1
UNITS: INCH
SHEET 1 OF 1

SIZE	DO NOT SCALE	DWG NO	REV
C	DRAWING	103080	B



TOLERANCES, UNLESS OTHERWISE NOTED
Dedimale: Angles ±1°
XX±.010
XXX±.005
THIRD ANGLE PROJECTION

ADAPTER PLATE
(SHADIN) TEMPLATE

