

Trans-Cal Industries, Inc.

ADAPTER PLATE (TCI) Part Number 103038 Installation Instructions

Overview

Trans-Cal Industries Adapter Plate part number 103038 allows the avionics technician to quickly replace legacy TCI altitude encoder installations in favor of Trans-Cal's SSD120-(XX)N(X)-(X) or Model SSD120-(XX)C-(X). This adapter simplifies the mechanical installation task by providing a mounting plate designed for the SSD120 series altitude digitizer, while utilizing the legacy TCI mounting tray. The adapter plate is manufactured from .062" thick aluminum with a chem-film treatment to inhibit corrosion. The adapter is shipped with stainless steel fastening hardware to secure the digitizer to the plate.

Equipment Limitations

The SSD120-(XX) Series Altitude Digitizer, and adapter plate part number 103038 are approved under TSO-C88a and ETSO-C88a. The conditions and tests for TSO approval are minimum performance standards. It is the responsibility of the installer of this equipment, within a specified type or class of aircraft, to determine that the aircraft operating conditions are within TSO or ETSO standards. TSO articles must have separate approval for installation in aircraft. The adapter plate and altitude encoder are to be installed in a manner consistent with the requirements of 14CFR part 43. Good workmanship and installation practices in accordance with the instructions given in this publication are to be observed. To verify the altitude digitizer has been properly installed, the installer should perform a visual inspection and conduct an overall operational check of the system prior to flight.

Continued Airworthiness

During the required biennial inspection of the transponder, altitude digitizer and pitot-static system the adapter plate should be visually inspected to verify it is securely holding the altitude digitizer. No other routine maintenance is required.

Assembly and Installation Instructions (Refer to TCI Drawing 103082 or 881633)

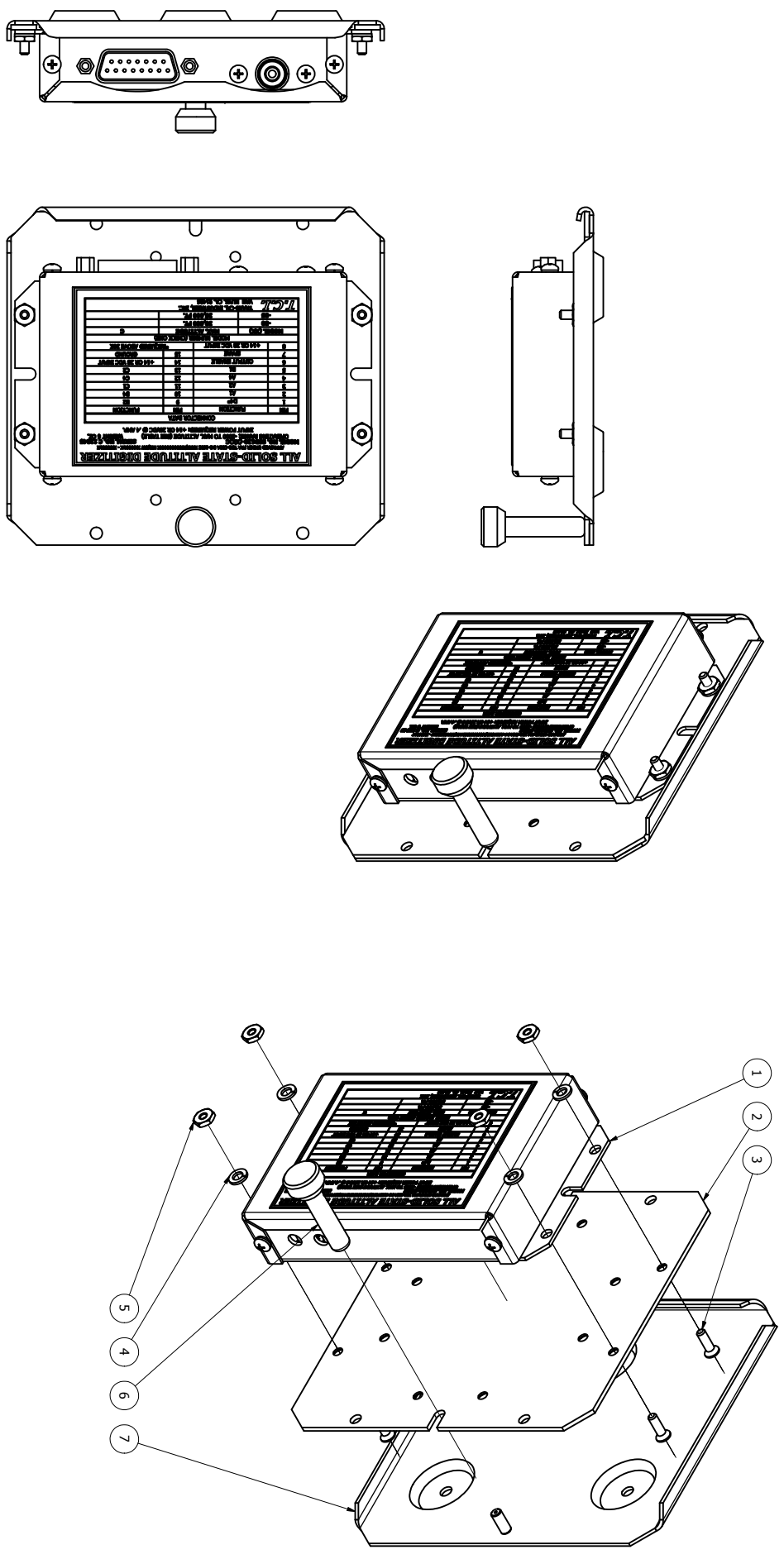
1. Secure the altitude digitizer (item 1) to the adapter plate (item 2) using four flat head screws, lock washers and nuts (items 3, 4 and 5) as shown on drawing 103082 or 881633.
2. Make all electrical/data and static line connections to the altitude digitizer (item 1) as per the digitizer installation instructions.
3. Place this assembly into the existing TCI mounting tray (item 7) and tighten the TCI retaining knob (item 6) to secure the unit to the mounting tray.
4. Test and verify the altitude digitizer operation as per the altitude digitizer installation manual.

Trans-Cal Industries Inc.
16141 Cohasset St.
Van Nuys, CA 91406
www.trans-cal.com

THIS DOCUMENT CONTAINS PROPRIETARY INFORMATION OF TRANS-CAL INDUSTRIES, INC. ANY REPRODUCTION, USE OR DISCLOSURE OF THIS DOCUMENT WITHOUT THE WRITTEN PERMISSION OF TRANS-CAL INDUSTRIES, INC. IS EXPRESSLY PROHIBITED.

ECO		REV		DATE		APPROVED	
A		1		06/01/2016		J. FERRERO	

REVISION HISTORY		DATE		APPROVED	
DESCRIPTION		06/01/2016		J. FERRERO	
PRODUCTION RELEASE					



ITEM	QTY	PART NUMBER	DESCRIPTION
1	1	SSD120-XXXC-(X)	ALTITUDE DIGITIZER
2	1	103038	ADAPTER PLATE (TCI SSD120)
3	4	600011-3	#4-40 X .375 FLAT HEAD PHILLIPS MACHINE SCREW
4	4	600006-4	#4 LOCK WASHER HELICAL SPLIT RING
5	4	600025-4	#4-40 HEX MACHINE SCREW NUT
6	1	881023	RETAINING KNOB (TCI PART)
7	1	881022	SSD MOUNTING TRAY (TCI PART)

PARTS LIST		TITLE	
MTRL./FINISH		Trans-Cal Industries, Inc.	
SEE P/L.		Van Nuys, CA 91406	
DRAWN		DATE	
H. SMITH		6/1/2016	
CHECKED		DATE	
M. REMENIH		8/17/2016	
OK		DATE	
J. FERRERO		9/18/2016	
MFG		DATE	
C. HERRERA		8/17/2016	
APPROVED		DATE	
J. FERRERO		8/17/2016	

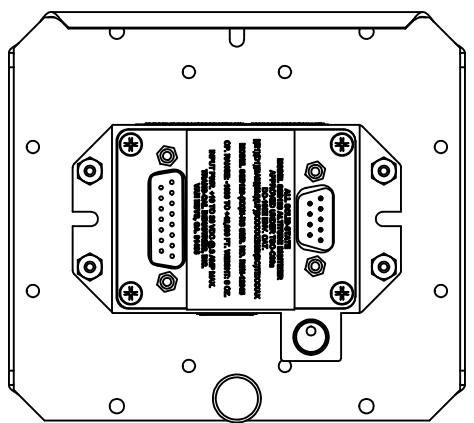
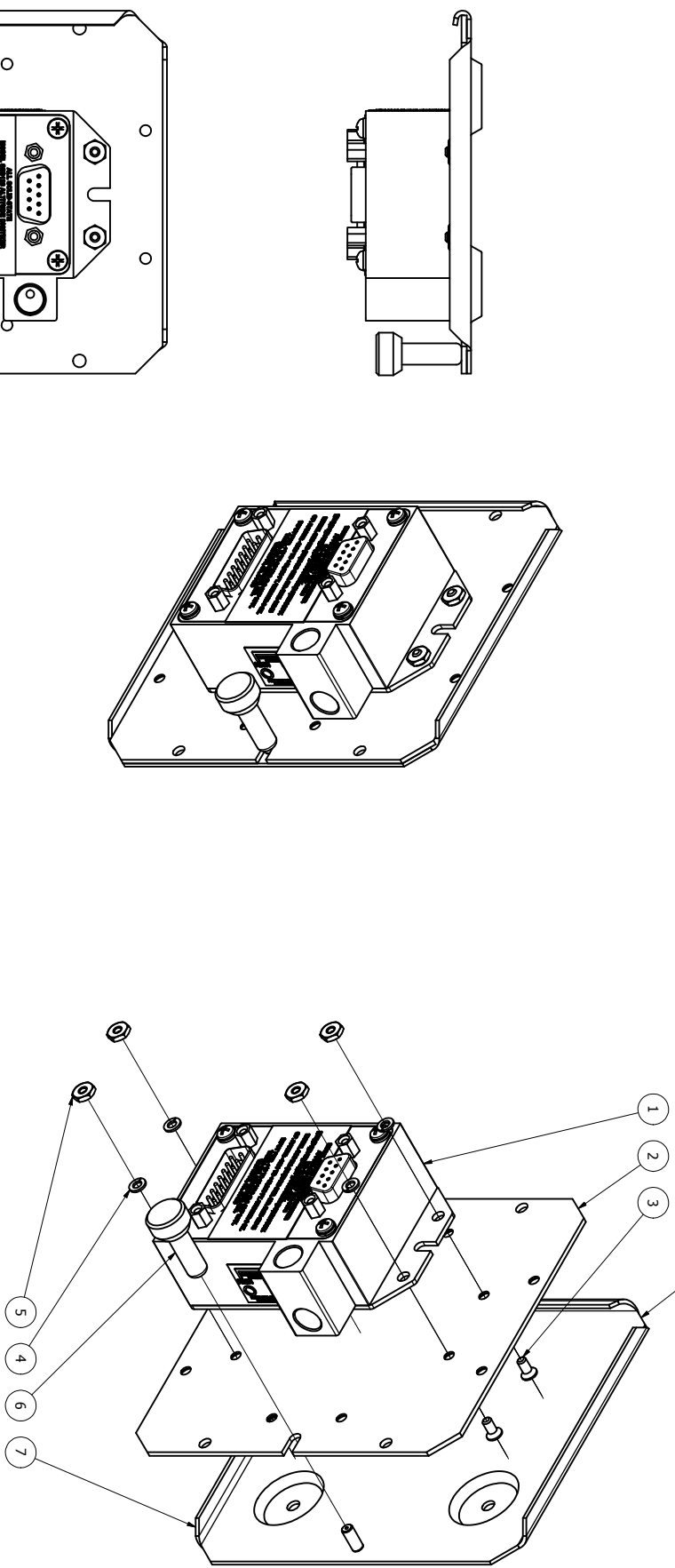
TOLERANCES, UNLESS OTHERWISE NOTED		TITLE	
Decimals: ± 0.010		ASSM., ADAPTER PLATE SSD120-(XXX)C-(X)	
Angles: $\pm 1^\circ$		(LEGACY TCI SSD120)	
XXX: ± 0.05		DRAWING NO. 881633	
THIRD ANGLE PROJECTION		SCALE: 1:1 UNITS: INCH	
		SHEET 1 OF 1	

NOTES: 4 3 2 1

THIS DOCUMENT CONTAINS PROPRIETARY INFORMATION OF TRANS-CAL INDUSTRIES, INC. ANY REPRODUCTION, USE OR DISCLOSURE OF THIS DOCUMENT WITHOUT THE WRITTEN PERMISSION OF TRANS-CAL INDUSTRIES, INC. IS EXPRESSLY PROHIBITED.

REV	DESCRIPTION	DATE	APPROVED
B	REVISED ADAPTER PLATE	08/17/2016	J. Ferrero
A	PRODUCTION APPROVAL	5/22/2008	J. Ferrero

REVISION HISTORY



Parts List

ITEM	QTY	PART NUMBER	DESCRIPTION
1	1	SSD120-(XX)N(X)-X	ADAPTER PLATE TCI (SSD120)
2	1	103038	#4-40 X.375" FLAT HEAD PHILLIPS SCREW
3	4	600011-3	#4 LOCK WASHER HELICAL SPLIT RING
4	4	600006-4	#4-40 HEX MACHINE SCREW NUT
5	4	600025-4	RETAINING KNOB (TCI PART)
6	1	881023	MOUNTING TRAY (TCI PART)
7	1	881022	MOUNTING TRAY (TCI PART)

MTRL./FINISH SEE PARTS LIST.
 DRAWN H. Smith
 CHECKED M. Remenih
 QA J. Ferrero
 MFG C. Herrera
 APPROVED J. Ferrero
 05/23/2008
 5/22/2008

TOLERANCES, UNLESS OTHERWISE NOTED
 Decimals: Angles ±1°
 Fractions: XXX±.005
 THIRD ANGLE PROJECTION

Trans-Cal Industries, Inc.
 Van Nuys, CA 91406

ASSM., ADAPTER PLATE
SSD120-(XX)N(X)-X (LEGACY TCI SSD120)

SCALE: 1:1 UNITS: INCH SHEET 1 OF 1

DO NOT SCALE DRAWING 103082 REV B

ADAPTER PLATE
(TCI) TEMPLATE

