

## ***Trans-Cal Industries, Inc.***

### **ADAPTER PLATE (TCI D120) Part Number 103036 Installation Instructions**

#### ***Overview***

Trans-Cal Industries Adapter Plate part number 103036 allows the avionics technician to quickly replace existing TCI altitude encoder model D120-P2-T installations in favor of the latest model SSD120-(XX)N(X)-(X). This adapter simplifies the mechanical installation task by providing a mounting plate designed for the SSD120-(XX)N(X)-(X) while utilizing the existing D120-P2-T mounting hole pattern. The adapter plate is manufactured from .062" thick aluminum with a chem-film treatment to inhibit corrosion. The adapter is shipped with stainless steel fastening hardware to secure the digitizer to the plate.

#### ***Please note:***

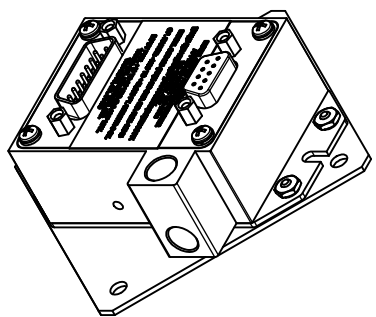
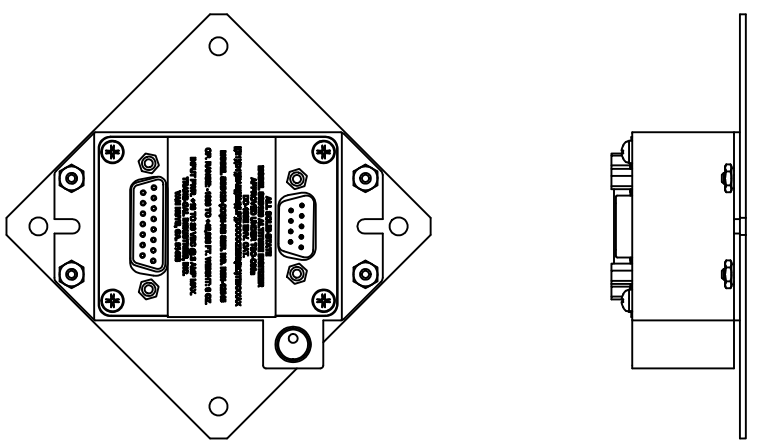
*The SSD120-(XX)N(X)-(X) and this adapter plate are approved under TSO-C88a and ETSO-C88a. It is the responsibility of the installer of this equipment, within a specified type or class of aircraft, to determine that the aircraft operating conditions are within TSO or ETSO standards.*

#### ***Assembly and Installation Instructions (Refer to TCI Drawing 103083)***

1. Secure the altitude digitizer (item 1) to the adapter plate (item 2) using four flat head screws, lock washers and nuts (items 3, 4 and 5) as shown on drawing 103083.
2. Make all electrical/data and static line connections to the altitude digitizer (item 1) as per the digitizer installation instructions.
3. Place this assembly into the existing TCI D120-P2-T mounting location secure the unit to the aircraft structure or instrument panel.
4. Test and verify the altitude digitizer operation as per the altitude digitizer installation manual.

Trans-Cal Industries Inc.  
16141 Cohasset St.  
Van Nuys, CA 91406  
www.trans-cal.com

REVISION HISTORY		
REV	DESCRIPTION	DATE
A	PRODUCTION APPROVAL	5/22/2008
	APPROVED	J. Ferrero



Parts List

ITEM	QTY	PART NUMBER	DESCRIPTION
1	1	SSD120-(XX)N(XX)-(X)	ALTITUDE DIGITIZER
2	1	103036	ADAPTER PLATE TCI D120
3	4	600011-3	#4-40 X .375" FLAT HEAD SCREW
4	4	600006-4	#4 LOCK WASHER
5	4	600025-4	#4-40 HEX MACHINE SCREW NUT

MTRL./FINISH	DRAWN	H. Smith	5/22/2008	TITLE	<b>Trans-Cal Industries, Inc.</b>
	CHECKED	M. Remenih	5/22/2008		Van Nuys, CA 91406
	QA				
	MFG	J. Ferrero	05/23/2008		
	APPROVED	C. Herrera	5/22/2008		
		J. Ferrero	5/22/2008		

TOLERANCES, UNLESS OTHERWISE NOTED  
 Decimals: Angles ±.1°  
 .XX ±.010  
 .XXX ±.005

THIRD ANGLE PROJECTION

SCALE	DO NOT SCALE	DWG NO	REV
C	DRAWING	103083	A

SIZE: C  
 SCALE: 1:1  
 UNITS: INCH  
 SHEET 1 OF 1