

Trans-Cal Industries, Inc.

ADAPTER PLATE (SANDIA) Part Number 103035 Installation Instructions

Overview

Trans-Cal Industries Adapter Plate part number 103035 allows the avionics technician to quickly replace existing SANDIA altitude encoder installations in favor of Trans-Cal's SSD120-(XX)N(X)-(X) or Model SSD120-(XX)C-(X). This adapter simplifies the mechanical installation task by providing a mounting plate designed for the SSD120 series altitude digitizer, while utilizing the existing SANDIA mounting tray. The adapter plate is manufactured from .062" thick aluminum with a chem-film treatment to inhibit corrosion. The adapter is shipped with stainless steel fastening hardware to secure the digitizer to the plate.

Equipment Limitations

The SSD120-(XX) Series Altitude Digitizer, and adapter plate part number 103035 are approved under TSO-C88a and ETSO-C88a. The conditions and tests for TSO approval are minimum performance standards. It is the responsibility of the installer of this equipment, within a specified type or class of aircraft, to determine that the aircraft operating conditions are within TSO or ETSO standards. TSO articles must have separate approval for installation in aircraft. The adapter plate and altitude encoder are to be installed in a manner consistent with the requirements of 14CFR part 43. Good workmanship and installation practices in accordance with the instructions given in this publication are to be observed. To verify the altitude digitizer has been properly installed, the installer should perform a visual inspection and conduct an overall operational check of the system prior to flight.

Continued Airworthiness

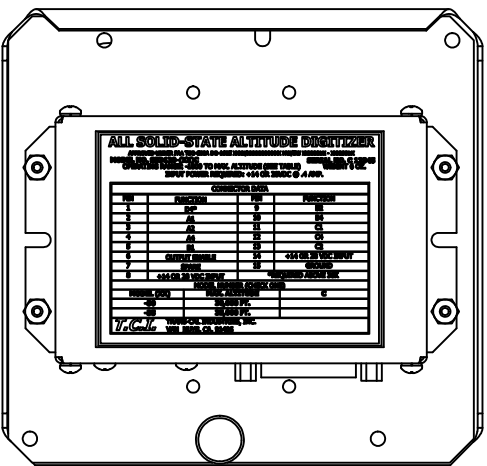
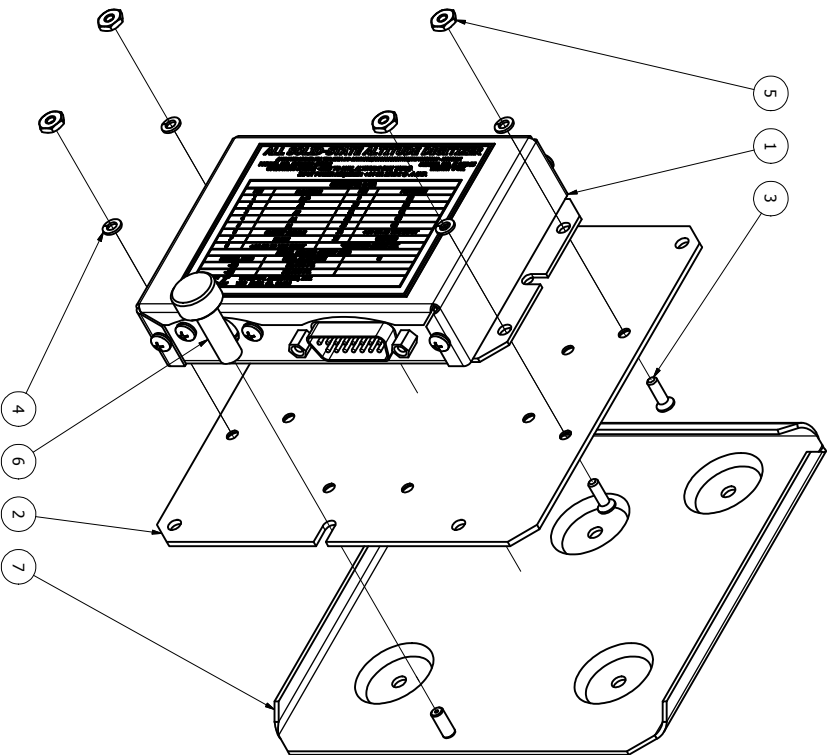
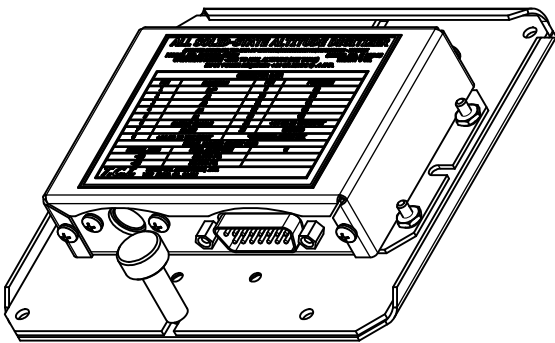
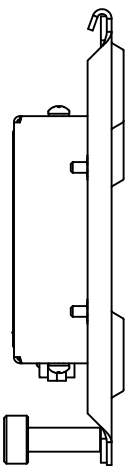
During the required biennial inspection of the transponder, altitude digitizer and pitot-static system the adapter plate should be visually inspected to verify it is securely holding the altitude digitizer. No other routine maintenance is required.

Assembly and Installation Instructions (Refer to TCI Drawing 103081 or 881631)

1. Secure the altitude digitizer (item 1) to the adapter plate (item 2) using four flat head screws, lock washers and nuts (items 3, 4 and 5) as shown on drawing 103081 or 881631.
2. Make all electrical/data and static line connections to the altitude digitizer (item 1) as per the digitizer installation instructions.
3. Place this assembly into the existing SANDIA mounting tray (item 7) and tighten the SANDIA locking knob (item 6) to secure the unit to the tray.
4. Test and verify the altitude digitizer operation as per the altitude digitizer installation manual.

Trans-Cal Industries Inc.
16141 Cohasset St.
Van Nuys, CA 91406
www.trans-cal.com

REVISION HISTORY		DATE	APPROVED
ECO	REV	DESCRIPTION	
A		PRODUCTION RELEASE	05/26/2016
			J. FERRERO



PARTS LIST

ITEM QTY	PART NUMBER	DESCRIPTION
1	SSD120-(XX)C-(X)	ALTITUDE DIGITIZER
2	103035	ADAPTER PLATE (SANDIA)
3	600011-3	#4-40 X .375" FLAT HEAD PHILLIPS MACHINE SCREW
4	600006-4	#4 LOCK WASHER HELICAL SPLIT RING
5	600025-4	#4-40 HEX MACHINE SCREW NUT
6	1	RETAINING KNOB (SANDIA PART)
7	1	TRAY

MTRL./FINISH SEE P/L.
 DRAWN H. SMITH
 CHECKED M. REMENIH
 DATE 5/26/2016
 OF J. FERRERO
 MFG. J. FERRERO
 APPROVED C. HERRERA
 DATE 5/26/2016
 J. FERRERO

Trans-Cal Industries, Inc.
 Van Nuys, CA 91406
ASSM., ADAPTER PLATE SSD120-(XX)C-(X)
 (SANDIA)

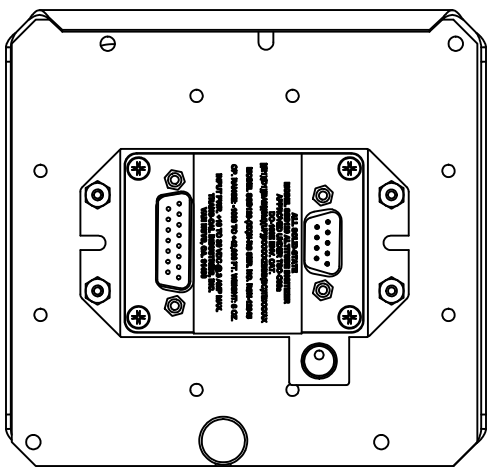
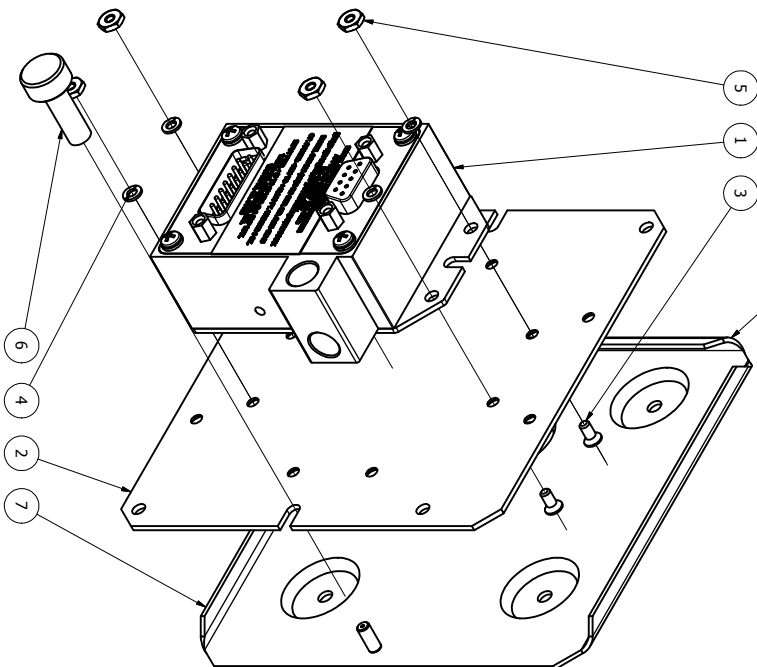
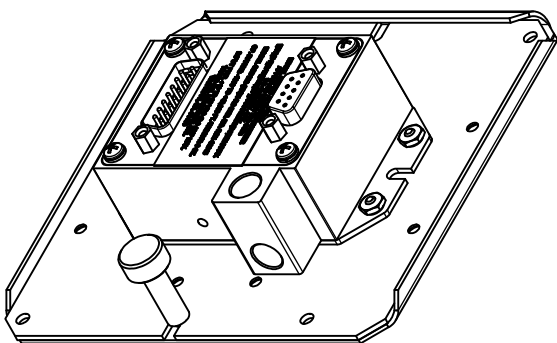
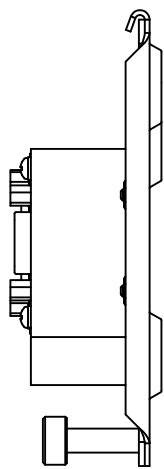
TOLERANCES, UNLESS OTHERWISE NOTED
 Decimals: .010
 Angles: ±1°
 XXX±.005, 1
 THIRD ANGLE PROJECTION

THIS DOCUMENT CONTAINS PROPRIETARY INFORMATION OF TRANS-CAL INDUSTRIES, INC. ANY REPRODUCTION, USE OR DISCLOSURE OF THIS DOCUMENT WITHOUT THE WRITTEN PERMISSION OF TRANS-CAL INDUSTRIES, INC. IS EXPRESSLY PROHIBITED.

REV	DESCRIPTION	DATE	APPROVED
B	REVISED ADAPTER PLATE	08/16/2016	J. Ferrero
A	PRODUCTION APPROVAL	5/22/2008	J. Ferrero

REVISION HISTORY

LEGACY SANDIA MOUNTING TRAY



Parts List

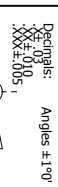
ITEM	QTY	PART NUMBER	DESCRIPTION
1	1	SSD120-(XX)N(X)-(X)	ALTITUDE DIGITIZER
2	1	103035	ADAPTER PLATE (SANDIA)
3	4	600011-3	#4-40 X .375" FLAT HEAD PHILLIPS SCREW
4	4	600006-4	#4 LOCK WASHER HELICAL SPLIT RING
5	4	600025-4	#4-40 HEX MACHINE SCREW NUT
6	1	KNOB	RETAINING KNOB (SANDIA PART)
7	1	TRAY	MOUNTING TRAY (SANDIA PART)

MTRL./FINISH

DRAWN	H. Smith	5/22/2008
CHECKED	M. Remenih	5/22/2008
QA		
MFG	J. Ferrero	05/23/2008
APPROVED	C. Herrera	5/22/2008
	J. Ferrero	5/22/2008

TITLE	
Trans-Cal Industries, Inc.	
Van Nuys, CA 91406	
ASSM., ADAPTER PLATE	
SSD120-(XX)N(X)-(X) (SANDIA)	

TOLERANCES, UNLESS OTHERWISE NOTED
 Decimals: $\pm .010$
 Angles: $\pm 1^\circ$
 Holes: $\pm .005$
 XXX $\pm .005$



THIRD ANGLE PROJECTION

SIZE	DO NOT SCALE	DWG NO	REV
C	DRAWING	103081	B

SCALE 1:1 UNITS: INCH SHEET 1 OF 1

ADAPTER PLATE
(SANDIA) TEMPLATE

