

Trans-Cal Industries, Inc.

ADAPTER PLATE (AMERI-KING) Part Number 103061 Installation Instructions

Overview

Trans-Cal Industries Adapter Plate part number 103061 allows the avionics technician to quickly replace existing AMERI-KING altitude encoder installations in favor of Trans-Cal's SSD120-(XX)N(X)-(X) or Model SSD120-(XX)C-(X). This adapter simplifies the mechanical installation task by providing a mounting plate designed for the SSD120 series altitude digitizer, while utilizing the existing AMERI-KING mounting tray. The adapter plate is manufactured from .062" thick aluminum with a chem-film treatment to inhibit corrosion. The adapter is shipped with stainless steel fastening hardware to secure the digitizer to the plate.

Equipment Limitations

The SSD120-(XX) Series Altitude Digitizer, and adapter plate part number 103061 are approved under TSO-C88a and ETSO-C88a. The conditions and tests for TSO approval are minimum performance standards. It is the responsibility of the installer of this equipment, within a specified type or class of aircraft, to determine that the aircraft operating conditions are within TSO or ETSO standards. TSO articles must have separate approval for installation in aircraft. The adapter plate and altitude encoder are to be installed in a manner consistent with the requirements of 14CFR part 43. Good workmanship and installation practices in accordance with the instructions given in this publication are to be observed. To verify the altitude digitizer has been properly installed, the installer should perform a visual inspection and conduct an overall operational check of the system prior to flight.

Continued Airworthiness

During the required biennial inspection of the transponder, altitude digitizer and pitot-static system the adapter plate should be visually inspected to verify it is securely holding the altitude digitizer. No other routine maintenance is required.

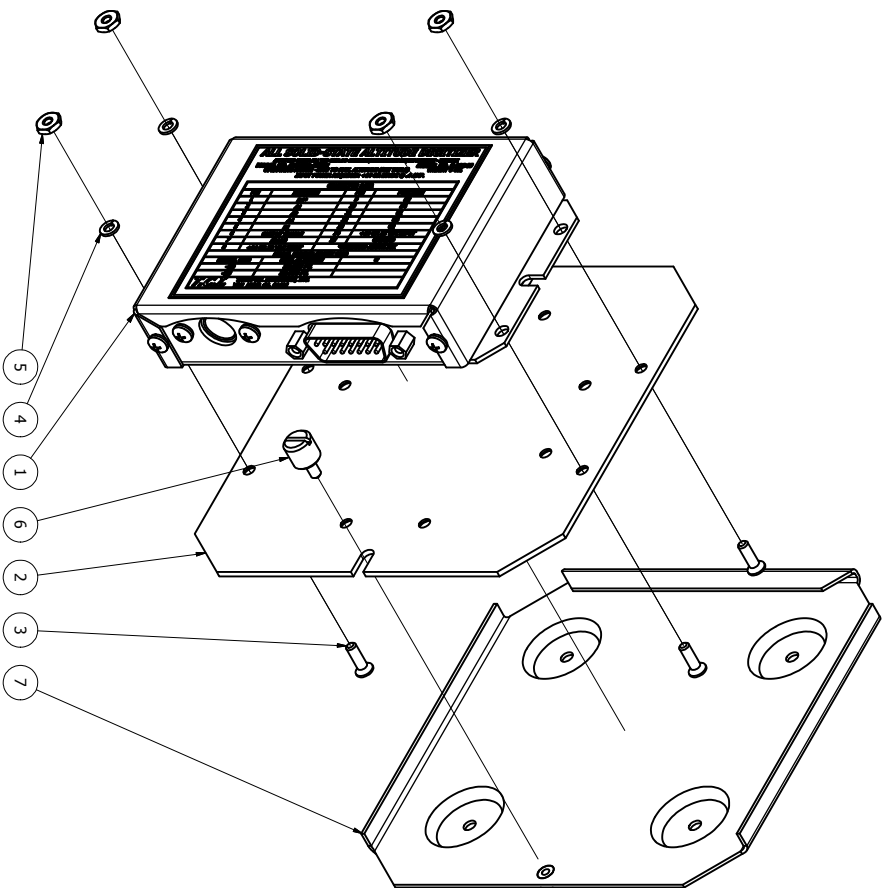
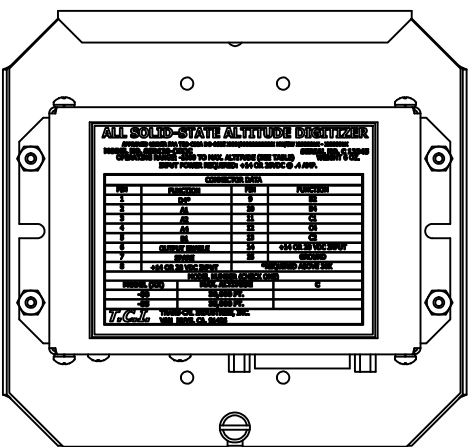
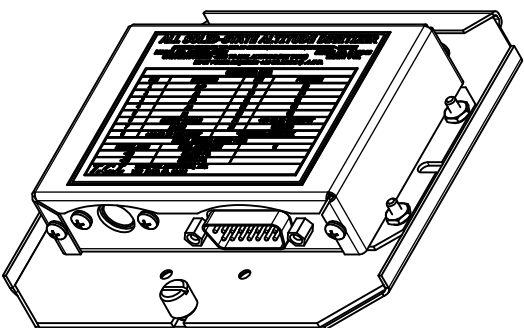
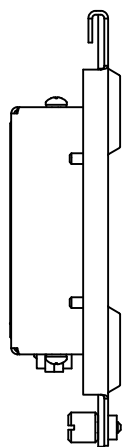
Assembly and Installation Instructions (Refer to TCI Drawing 103079 or 881630)

1. Secure the altitude digitizer (item 1) to the adapter plate (item 2) using four flat head screws, lock washers and nuts (items 3, 4 and 5) as shown on drawing 103079 or 881630.
2. Make all electrical/data and static line connections to the altitude digitizer (item 1) as per the digitizer installation instructions.
3. Place this assembly into the existing AMERI-KING mounting tray (item 7) and tighten the AMERI-KING locking knob (item 6) to secure the unit to the tray.
4. Test and verify the altitude digitizer operation as per the altitude digitizer installation manual.

Trans-Cal Industries Inc.
16141 Cohasset St.
Van Nuys, CA 91406
www.trans-cal.com

ECO		REV	DESCRIPTION	DATE	APPROVED
	A		PRODUCTION RELEASE	05/26/2016	J. FERRERO

REVISION HISTORY	
DESCRIPTION	DATE
PRODUCTION RELEASE	05/26/2016
	J. FERRERO



ITEM QTY	PART NUMBER	DESCRIPTION
1	SSD120-(XX)C-(X)	ALTITUDE DIGITIZER
2	103061	ADAPTER PLATE (AMERI-KING)
3	600011-3	#4-40 X .375 FLAT HEAD PHILLIPS SCREW
4	600006-4	#4 LOCK WASHER HELICAL SPLIT RING
5	600025-4	#4-40 HEX MACHINE SCREW NUT
6	1	RETAINING KNOB (AMERI-KING PART)
7	1	MOUNTING TRAY (AMERI-KING PART)

MTRL./FINISH		DRAWN		TITLE	
SEE PARTS LIST.		H. Smith		Trans-Cal Industries, Inc.	
		CHECKED		Van Nuys, CA 91406	
		M. Remenih			
		5/25/2016			
		OF			
		J. Ferrero			
		5/26/2016			
		MFG			
		C. Herrera			
		5/25/2016			
		APPROVED			
		J. Ferrero			
		5/25/2016			

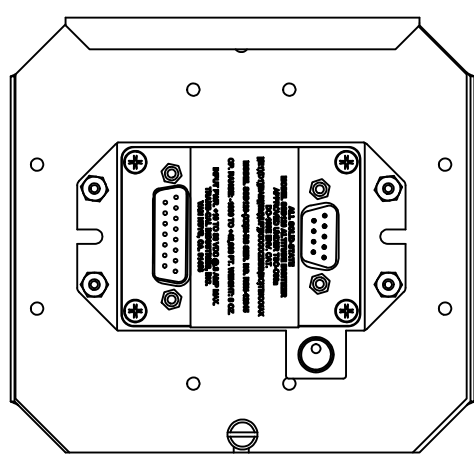
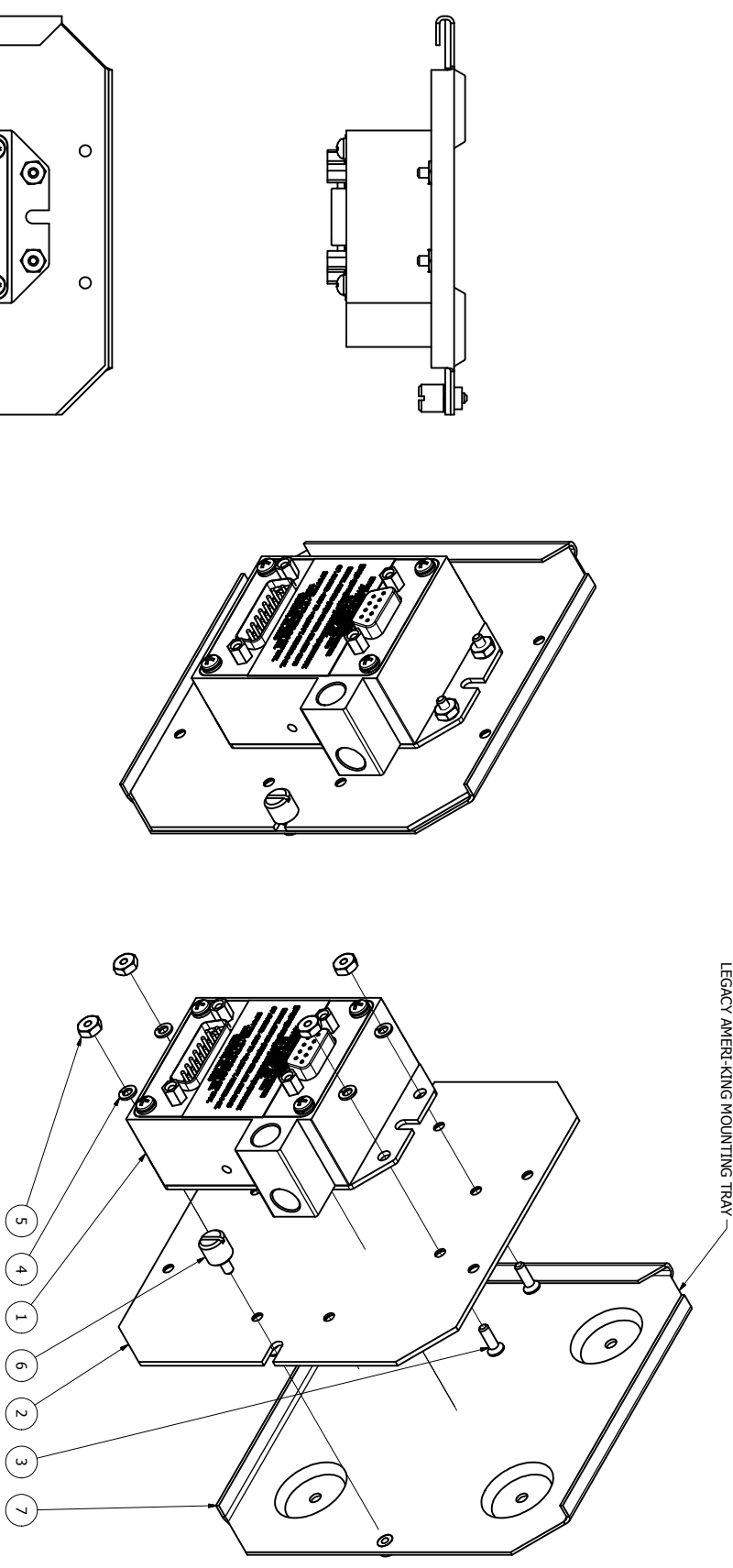
TOLERANCES, UNLESS OTHERWISE NOTED
 Decimals: Angles ±1°
 Fractions: ±.010
 Holes: ±.005
 XXX±.005, 1

THIRD ANGLE PROJECTION

SCALE:	UNITS: INCH	SHEET 1 OF 1
SIZE: DO NOT SCALE DRAWING	DWG NO: 881630	REV: A

REV	DESCRIPTION	DATE	APPROVED
B	REVISED ADAPTER PLATE	8/16/2016	J. Ferrero
A	PRODUCTION APPROVAL	5/22/2008	J. Ferrero

REVISION HISTORY



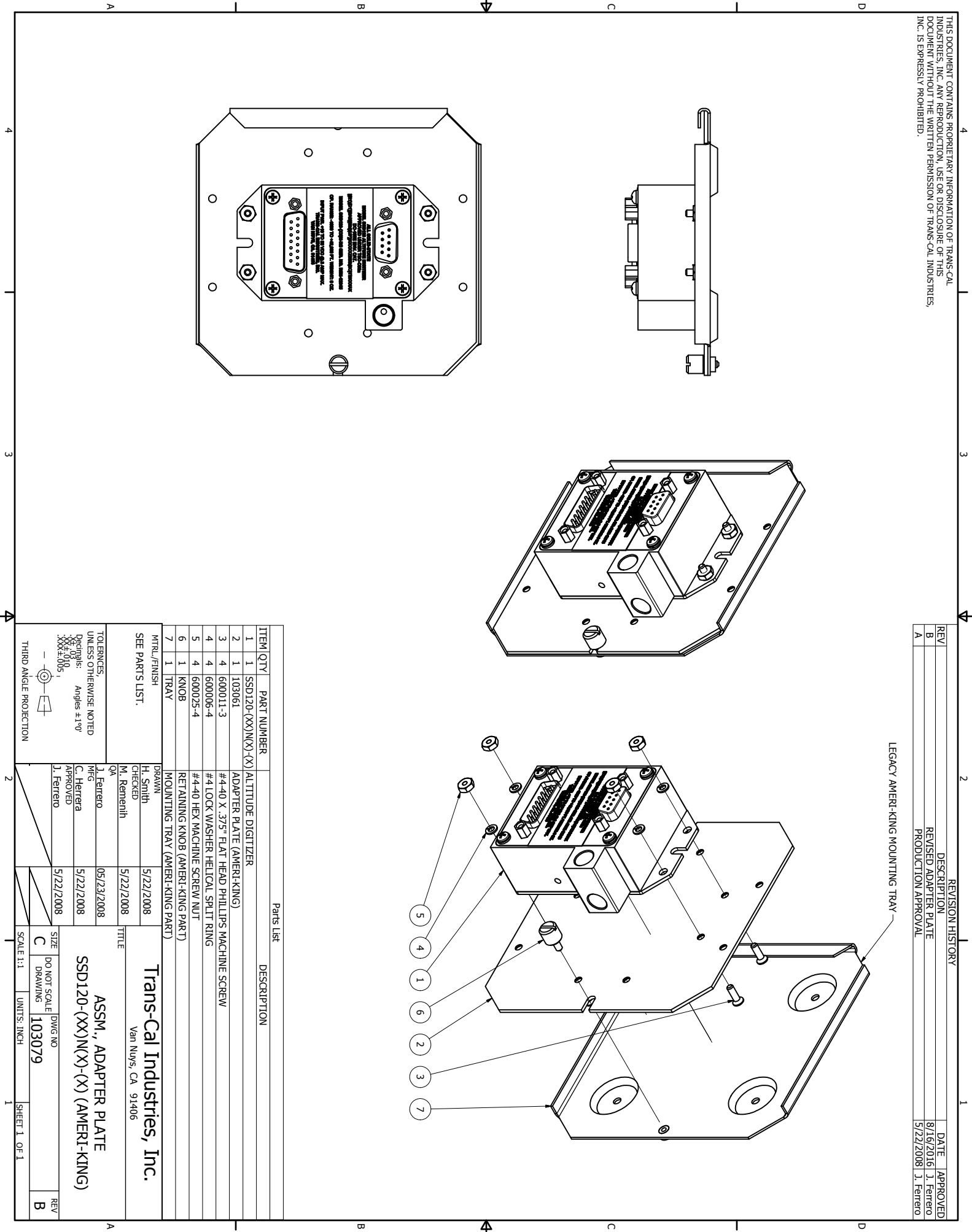
ITEM QTY	PART NUMBER	DESCRIPTION
1	SSD120-(XX)N(X)-(X)	ALTTITUDE DIGITIZER
2	103061	ADAPTER PLATE (AMERI-KING)
3	600011-3	#4-40 X .375" FLAT HEAD PHILLIPS MACHINE SCREW
4	600006-4	#4 LOCK WASHER HELICAL SPLIT RING
5	600025-4	#4-40 HEX MACHINE SCREW NUT
6	1	RETAINING KNOB (AMERI-KING PART)
7	1	MOUNTING TRAY (AMERI-KING PART)

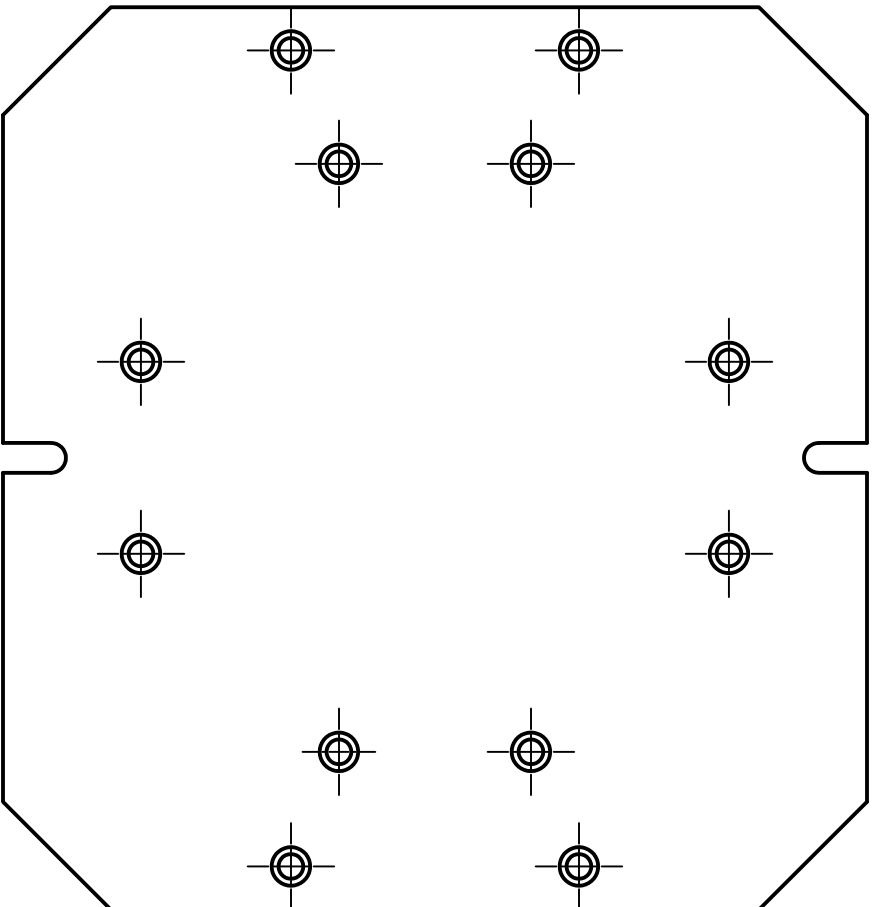
MTRL./FINISH	DRAWN	TITLE
SEE PARTS LIST.	H. Smith	Trans-Cal Industries, Inc.
	CHECKED	Van Nuys, CA 91406
	M. Remenih	
	QA	
	J. Ferrero	
	MFG	
	C. Herrera	
	APPROVED	
	J. Ferrero	

TOLERANCES, UNLESS OTHERWISE NOTED
 Decimals: Angles ±1°
 Fractions: ±.010
 Holes: ±.005
 Third Angle Projection

SIZE	DO NOT SCALE	DWG NO
C	DRAWING	103079
SCALE 1:1	UNITS: INCH	SHEET 1 OF 1

DATE	APPROVED
8/16/2016	J. Ferrero
5/22/2008	J. Ferrero





ADAPTER PLATE
(AMERI-KING) TEMPLATE